



## Sounder AX03, AX05

**Loud signalling device  
with 32 different signals**

- ▶ AC and DC versions
- ▶ High volume up to 112 dB(A)
- ▶ Low current consumption
- ▶ Choice of 32 different signal tones
- ▶ Steady frequency rate
- ▶ Robust and reliable

### Application

The Yodalarm sounders are loud, compact signalling devices with good directivity.

Their IP 66 housings qualify them for use both indoors and outdoors.

### Design

The housing consists of ABS.

The sounders are equipped with 32 different tones and are therefore suitable for universal use.

The Sounders are available in AC and DC version. Both versions are designed for a two-stage alarm.

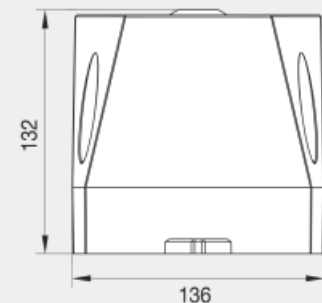
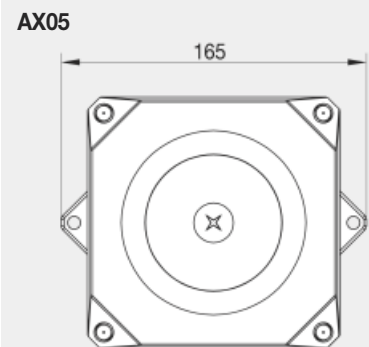
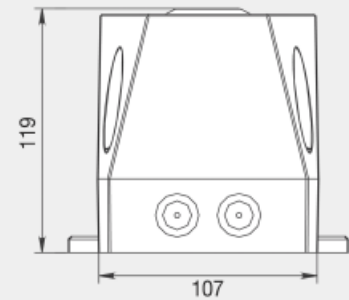
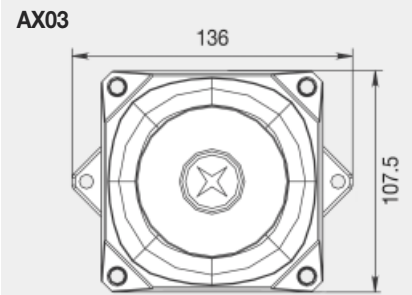
**Signalling  
devices with  
good directivity**

for use indoors and  
outdoors.



## Technical specifications

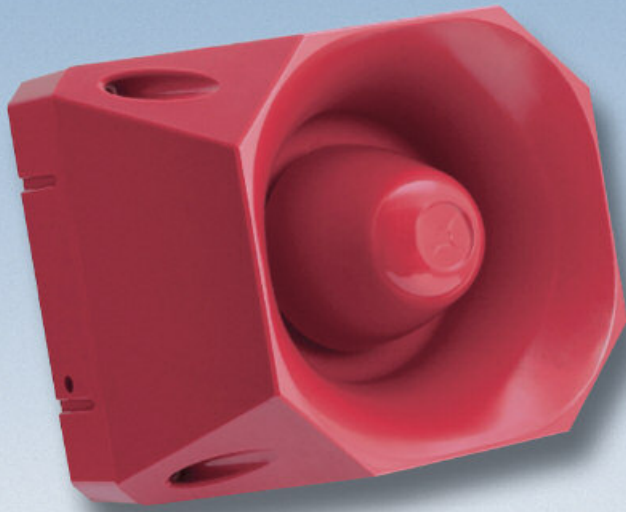
Housing	ABS	
Colour	red	
Protection degree	IP 66 (IEC 60529)	
Cable gland	knochouts	
Volume	approx. 100–112 dB(A)	
Signals	32 different signal tones	
Temperature range	-25 °C to +70 °C	
Weight	AC	DC
	AX03	0.4 kg 0.3 kg
	AX05	0.7 kg 0.5 kg



## Order information

Type	Name	Rated voltage V	Operating voltage range V	Volume dB(A)	Article no.
AX03	Sounder	115/230 VAC	115 – 230 V	100 – 111	215 310 07
AX03	Sounder	12/24 VDC	9 – 60 V	100 – 111	215 310 13
AX05	Sounder	115/230 VAC	115 – 230 V	109 – 112	215 320 07
AX05	Sounder	12/24 VDC	9 – 60 V	109 – 112	215 320 13

Subject to change without notice · Printout 04/13



## Sounder AX08

### Loud signalling device with 42 different signals

- ▶ AC and DC versions
- ▶ High volume up to 120 dB(A)
- ▶ Low current consumption
- ▶ Choice of 42 different signal tones
- ▶ Steady frequency rate
- ▶ Sturdy and reliable

### Application

The Avisaline sounders are loud, compact signalling devices with good directivity.

Their IP 66 housings qualify them for use both indoors and outside.

### Design

The housing consists of ABS. The sounders are equipped with 42 different tones and are therefore suitable for universal use.

The Sounders are available in AC and DC version. Both versions are designed for a 3-stage alarm.

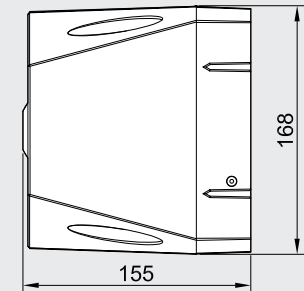
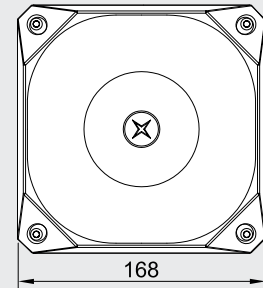
### Signalling devices with good directivity

for use indoors and  
outside.



## Technical specifications

Housing	ABS		
Colour	red		
Protection degree	IP 66 (IEC 60529)		
Cable gland	knockouts		
Volume	approx. 101–120 dB(A) (depending on signal tone)		
Signals	42 different signal tones 3 tones extern swichable		
Temperature range	-25 °C to +70°C		
Weight	AC	DC	
	AX08	2.5 kg	1.6 kg



## Order information

Type	Name	Rated voltage V	Operating voltage range V	Current consumption A	Volume dB(A)	Article no.
AX08	Sounder	115 / 230 VAC	115 or 230 V	0.1	101 – 120	215 330 07
AX08	Sounder	24 VDC	18 – 28 V	0.45	101 – 120	215 330 13

Subject to change without notice · Printout 04/13



## Sounder-Strobe-Combination AXL04

**Loud signalling devices with 32 different signals and 2 Joule strobe light**

- ▶ Volume: approx. 105 dB(A)
- ▶ 2 stage alarm
- ▶ Flash energy 2 Joule
- ▶ Low current consumption
- ▶ Simple Installation

### Application

The AXL04 is very versatile in its application. The Sounder-strobe-light-combination AXL04 is often used in burglar and fire alarm systems, office building, hospitals or airports.

### Design

Thanks to its housing, the AXL04 is suitable for use both indoors and outdoors. The device generates 32 different signal tones, which can be set individually by the user. Flash energy 2 Joule.

The optical and acoustical signal can be controlled separately of each other. The design of the housing enables simple installation.

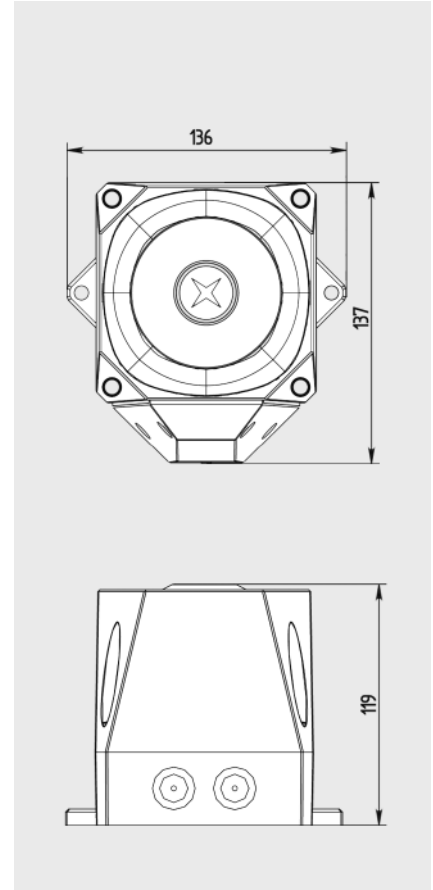
### Signalling device

for use in an airport.



## Technical specifications

Housing	ABS
Colour	red
Cap	clear, red, amber, blue
Protection degree	IP 66
Flash energy	2 Joule
Volume	approx. 105 dB(A)
Signals	32
Temperature range	-25 °C up to +70 °C
Weight	approx. 0.5 kg



## Order information

\* The full article number is made up by appending the colour code for the coloured cap to the article numbers given below.

<b>transp.</b>	01
<b>red</b>	02
<b>amber</b>	03
<b>blue</b>	05

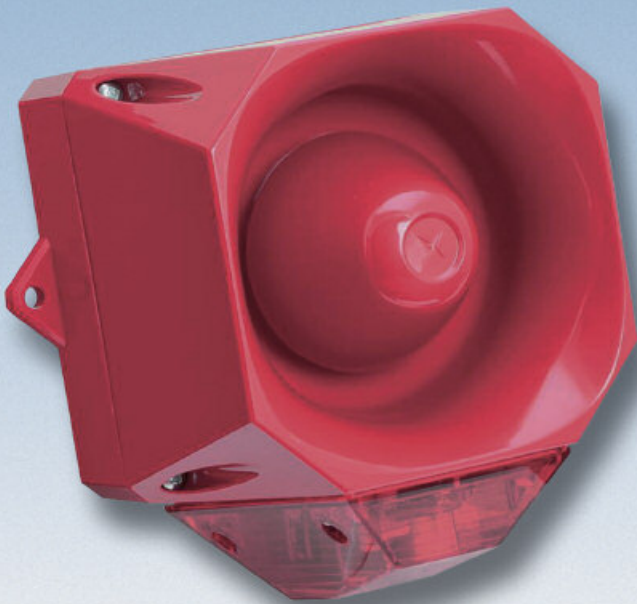
Type	Name	Rated voltage	Art. no.
AXL04	Sounder-Strobe-Combination	115 / 230 VAC	225 107 ... 100
AXL04	Sounder-Strobe-Combination	9 – 60 VDC	225 113 ... 100

Subject to change without notice · Printout 04/13

# Sounder-Strobe-Combination AXL05

**Loud signalling device with 32 different signals and a 2.5 Joule strobe light**

- ▶ AC and DC versions
- ▶ High volume up to 112 dB(A)
- ▶ Low current consumption
- ▶ Choice of 32 different signal tones
- ▶ Strobe light 2.5 Joule
- ▶ Robust and reliable



## Application

The combination consists of a loud, compact signalling device with good directivity and a 2.5 Joule strobe light. The optical and acoustic signals can be controlled separately from each other. The IP 66 housing qualifies the device for use both indoors and outdoors.

## Design

The housing consists of ABS/Poly-carbonate. The sounders are equipped with 32 different tones and are therefore suitable for universal use.

The signal tone is selected with a DIP switch. All versions are designed for a two-stage alarm.

The strobe light is controlled via a separate connection terminal.

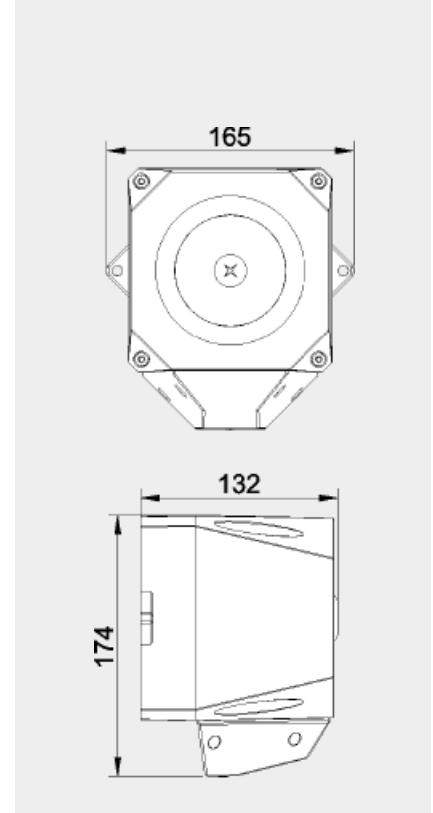
**Signalling device with good directivity and a strobe light**

for use indoors and outdoors.



## Technical specifications

Housing	ABS
Colour	red
Cap	Polycarbonate
Protection degree	IP 66 (IEC 60529)
Cable gland	knockouts
Volume	approx. 112 dB(A)
Flash energy	2.5 Joule
Signals	32 different signal tones
Temperature range	-25 °C to +70 °C
Weight	approx. 0.8 kg



## Order information

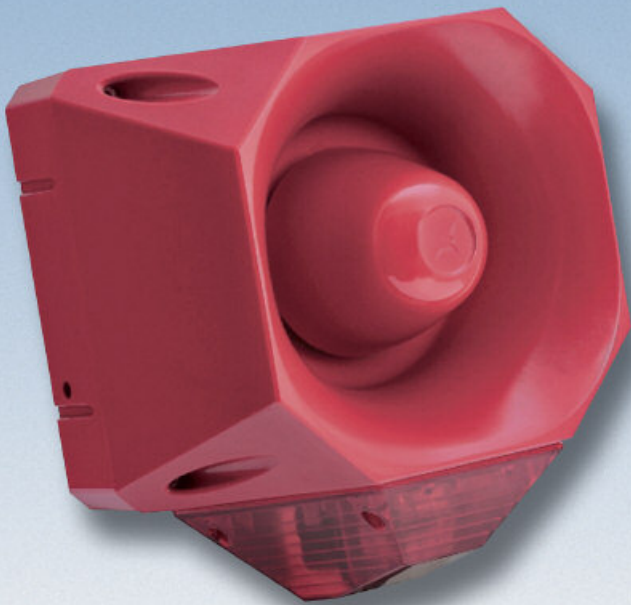
\* The full article number is made up by appending the colour code for the coloured cap to the article numbers given below.

	<b>transp.</b>	<b>230 V</b>	<b>115 V</b>
	<b>red</b>	01	010
	<b>amber</b>	02	020
	<b>blue</b>	03	030
		05	050

Type	Name	Rated voltage V	Volume dB(A)	Art. no.*	230 V	115 V
AXL05	Sounder-Strobe-Combination	230 VAC	approx. 112	225 107	..	..
AXL05	Sounder-Strobe-Combination	115 VAC	approx. 112	225 106	..	..
AXL05	Sounder-Strobe-Combination	9 - 60 VDC	approx. 110	225 113	..	..

Subject to change without notice · Printout 04/12





# Sounder-Strobe-Combination AXL08

**Loud signalling device with 32 different signals and a 3.6 joule strobe light**

- ▶ AC and DC versions
- ▶ High volume up to 120 dB(A)
- ▶ Low current consumption
- ▶ Choice of 32 different signal tones
- ▶ Strobe light 3.6 Joule / 2 Joule
- ▶ Sturdy and reliable

## Application

The combination consists of a loud, compact signalling device with good directivity and a 3.6/2.0 Joule strobe light. The optical and acoustic signals can be controlled separately of each other.

The IP 66 housing qualifies the device for use both indoors and outside.

## Design

The housing consists of ABS. The sounders are equipped with 32 different tones and are therefore suitable for universal use.

The signal tone is selected with a DIP switch. All versions are designed for a two-stage alarm.

The strobe light is controlled via a separate connection terminal.

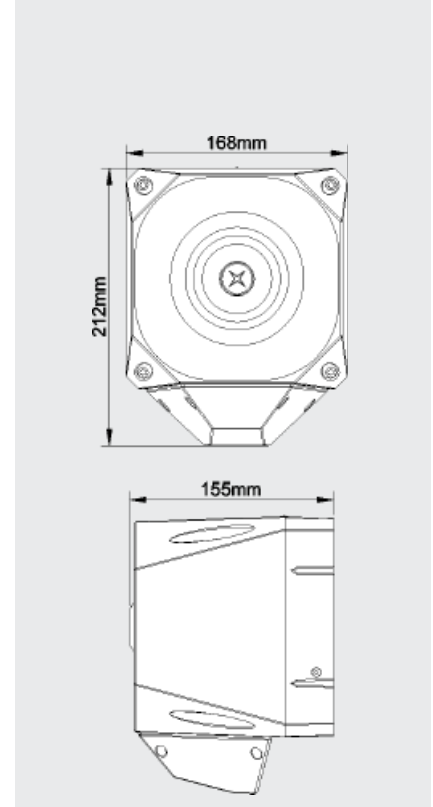
**Signalling device with good directivity and a strobe light**

for use indoors and outside.



## Technical specifications

Housing	ABS
Colour	red
Cap	Polycarbonate
Protection degree	IP 66 (IEC 60529)
Cable gland	knockouts
Volume	approx. 101-120 dB(A) (depending on signal tone)
Flash energy	3.6 Joule / 2 Joule
Signals	32 different signal tones
Temperature range	-25 °C to +70°C
Weight	approx. 1.8 kg / 2.5 kg



## Order information

\* The full article number is made up by appending the colour code for the coloured cap to the article numbers given below.

<b>transp.</b>	01
<b>red</b>	02
<b>amber</b>	03
<b>blue</b>	05

Type	Name	Rated voltage V	Flash Energy	Volume dB(A)	Art. no.*
AXL08	Sounder-Strobe-Combination	115 / 230 VAC	2 Joule	120	225 207 ..
AXL08	Sounder-Strobe-Combination	18 – 30 VDC	3.6 Joule	110	225 213 ..

Subject to change without notice · Printout 04/13

# Strobe Light XL04

Optical signalling device  
for indoor and outdoor use

- ▶ Flash energy 3.6 / 2.0 Joule
- ▶ Simple installation
- ▶ Protection IP 66



## Application

The strobe light XL04 is very versatile in its application. The XL04 is often used in burglar and fire alarm systems, office building, hospitals or airports.

Thanks to its housing, the XL04 is suitable for use both indoors and outdoors.

The design of the housing enables simple installation.

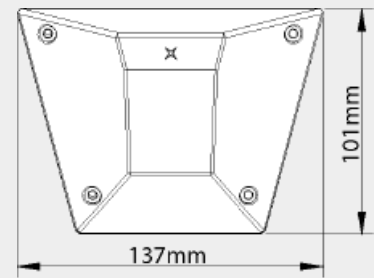
## Signalling device of burglary- system

For indication in case of  
fire or burglary.

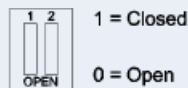


## Technical specifications

Housing	Polycarbonate
Colour	red, amber, blue, clear
Protection degree	IP 66
Flash energy	3.6 Joule / DC version 2.0 Joule / AC version
Temperature range	-25 °C up to +70 °C
Weight	0.3 kg



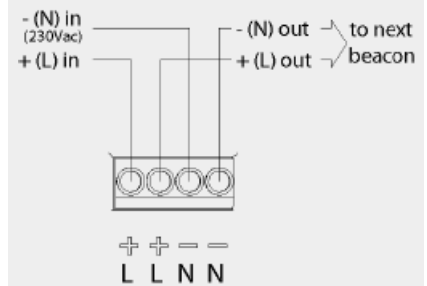
### Flash settings only DC version



Set DIL switch to required setting. (Table shown below)

Switch 1	Switch 2	Flash Rate
open	open	45/min
closed	open	60/min
open	closed	85/min
closed	closed	120/min

### Connecting diagram



## Order information

Type	Name	Rated voltage	Current Consumption	Art. no.*
XL04	Strobe light	230 VAC	15 mA	224 507 .. (0)
XL04	Strobe light	10 – 30 VDC	130 – 680 mA	224 513 .. (0)

\* The full article number is made up by appending the colour code for the coloured cap to the article numbers below.

<b>clear</b>	01
<b>red</b>	02
<b>amber</b>	03
<b>blue</b>	05

Subject to change without notice · Printout 04/13